



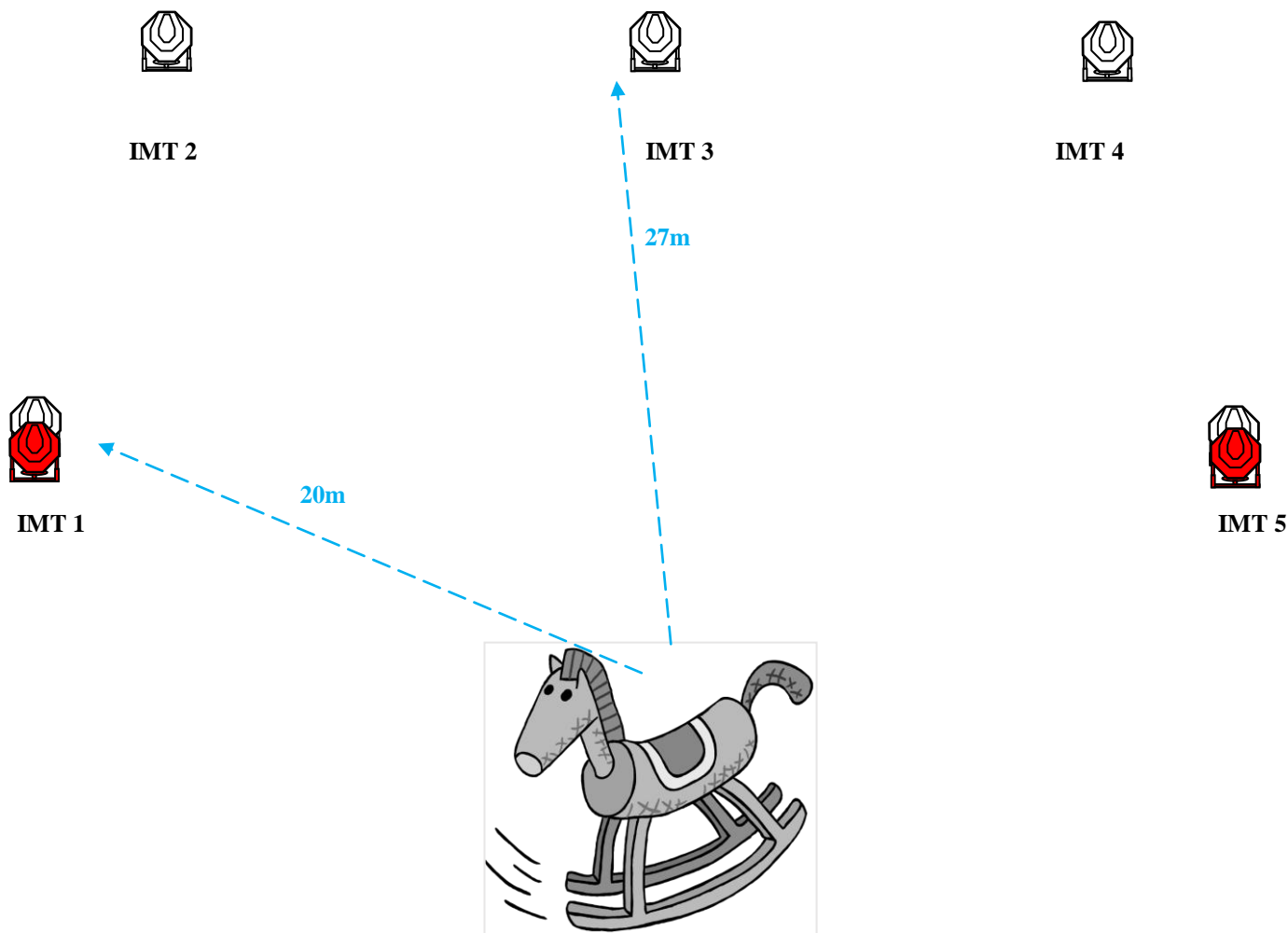
**XVII CAMPEONATO BRASILEIRO DE
RIFLE E SHOTGUN E
IX CAMPEONATO BRASILEIRO DE
MINI RIFLE DE 2021**

II Etapa NACIONAL de 01 a 04 de julho de 2021.

PISTAS DE MINI RIFLE



(Stage 1)



Targets	5 IPSC MINI TARGET
Number of rounds to be scored	10
Mini-Rifle ready condition	Loaded (Option 2) (R: 8.1.1.2).
Start Position	Sitting in the horse's saddle, both feet in the stirrups, hands holding the gun over the strong leg, as demonstrated.
Time Starts	Audible signal
Procedure	At the signal, engage all targets seated in the saddle and with feet in the stirrups.
Observation	-



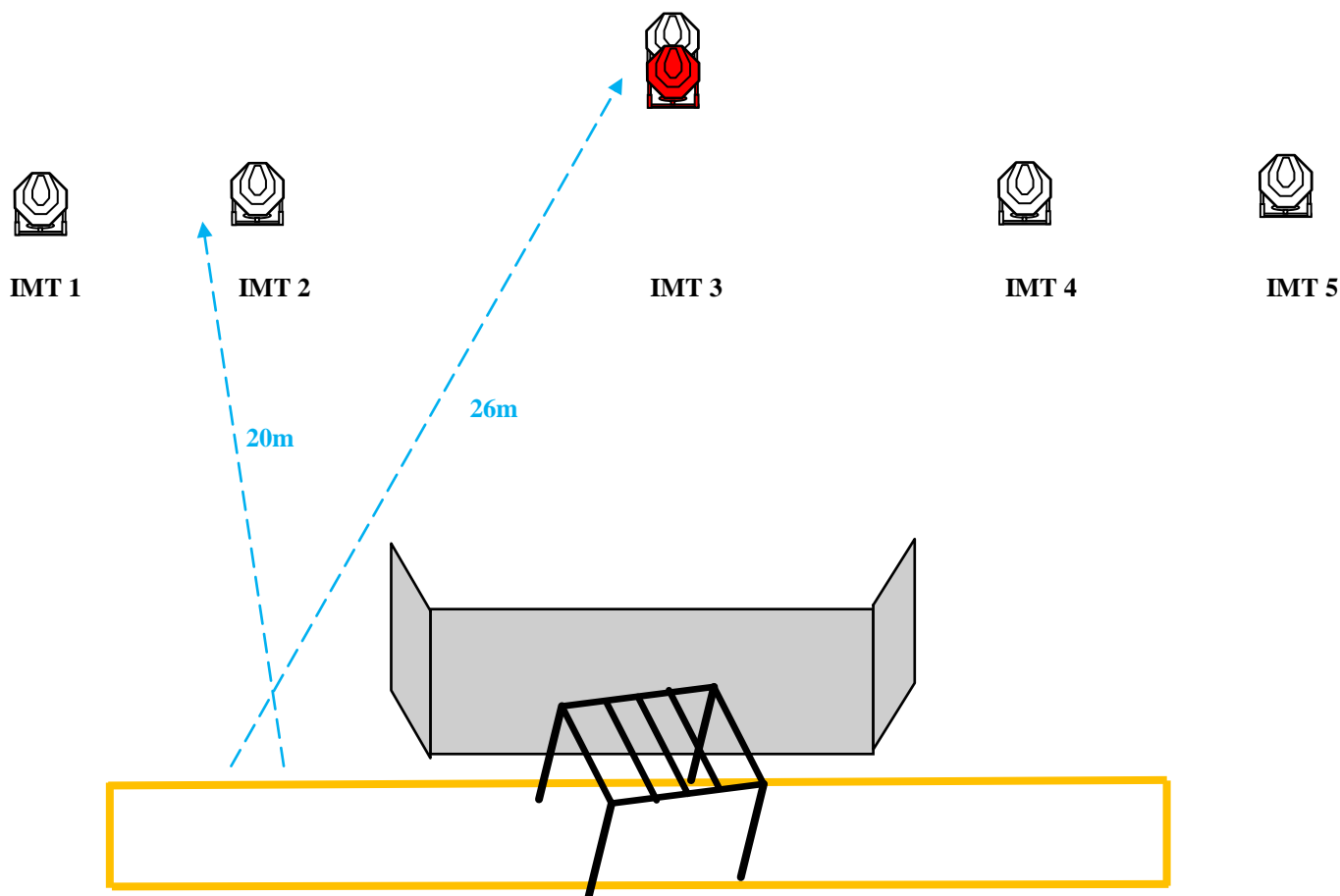
**XVII CAMPEONATO BRASILEIRO DE
RIFLE E SHOTGUN E
IX CAMPEONATO BRASILEIRO DE
MINI RIFLE DE 2021**

II Etapa NACIONAL de 01 a 04 de julho de 2021.

PISTAS DE MINI RIFLE



(Stage 2)



Targets	5 IPSC MINI TARGET
Number of rounds to be scored	10
Mini-Rifle ready condition	Loaded (Option 1) (R: 8.1.1.1)
Start Position	Standing, inside the area as demonstrated.
Time Starts	Audible signal
Procedure	At the start signal, engage targets from within the designated area passing through the cooper tunnel.
Observation	One procedure for each wood that falls.

Stage designer: D. Salvio Parmagnani – RM 303 NROI/BR and Alex Palhares RO 2458 NROI/BR

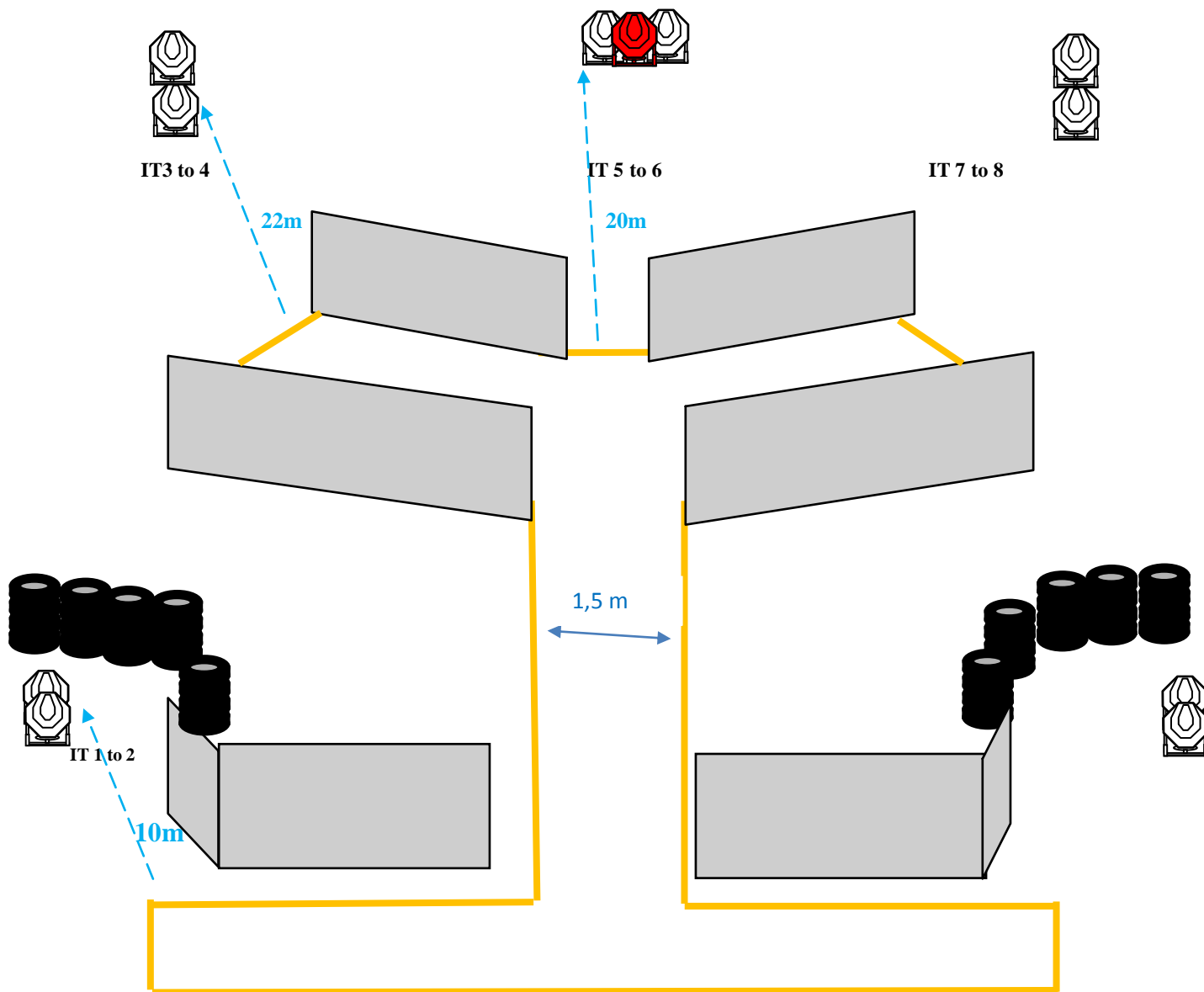


**XVII CAMPEONATO BRASILEIRO DE RIFLE E SHOTGUN E
IX CAMPEONATO BRASILEIRO DE MINI RIFLE DE 2021**

II Etapa NACIONAL de 01 a 04 de julho de 2021.

PISTAS DE MINI RIFLE

(Stage 3)



Targets	10 IPSC TARGET
Number of rounds to be scored	20
Mini-Rifle ready condition	Loaded (Option 1) (R: 8.1.1.1)
Start Position	Standing, inside the area as demonstrated.
Time Starts	Audible signal
Procedure	At the start signal, engage targets from within the designated area.
Observation	-

Stage designer: D. Salvio Parmagnani – RM 303 NROI/BR and Alex Palhares RO 2458 NROI/BR



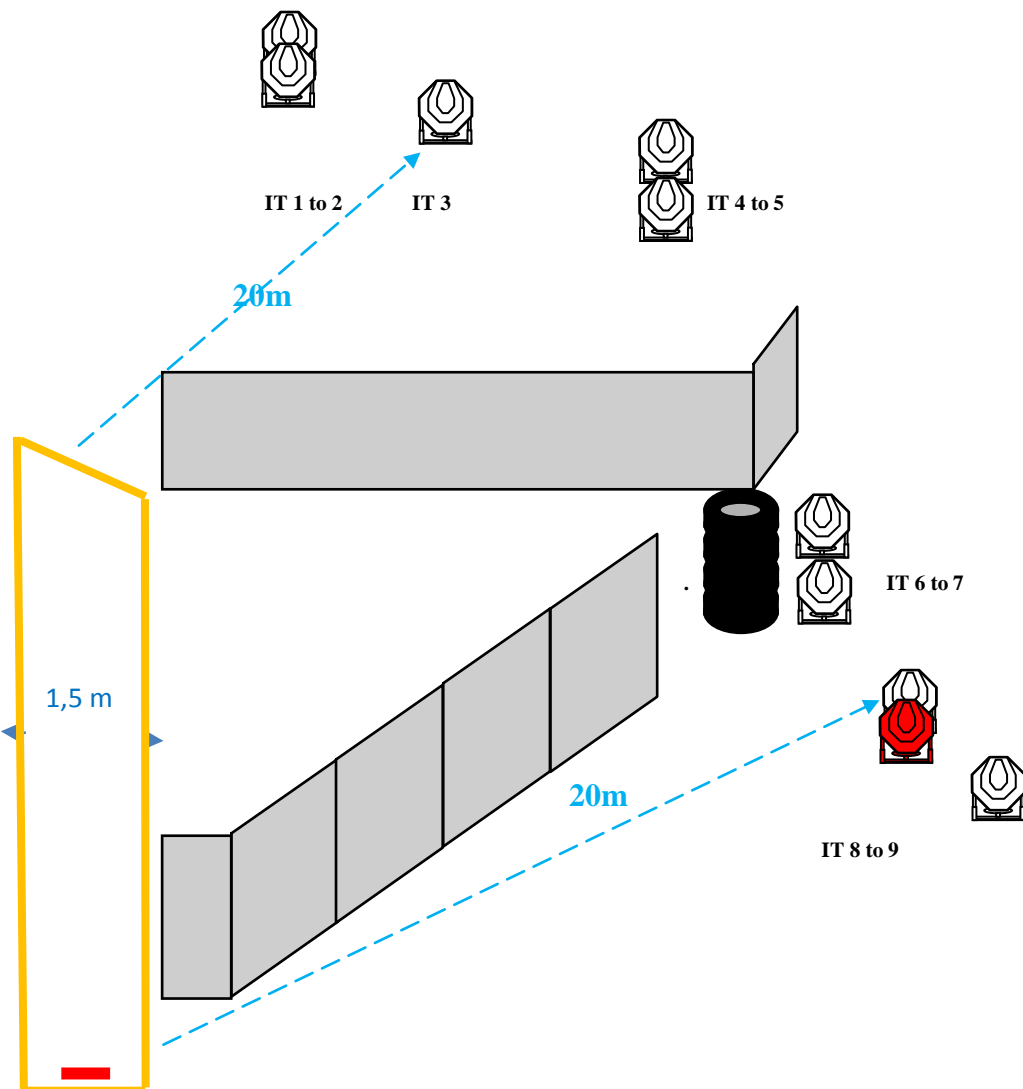
**XVII CAMPEONATO BRASILEIRO DE
RIFLE E SHOTGUN E
IX CAMPEONATO BRASILEIRO DE
MINI RIFLE DE 2021**

II Etapa NACIONAL de 01 a 04 de julho de 2021.

PISTAS DE MINI RIFLE



(Stage 4)



Targets	9 IPSC TARGET
Number of rounds to be scored	18
Mini-Rifle ready condition.	Loaded (Option 1) (R: 8.1.1.1).
Start Position	Standing, heels touching the Start Line as demonstrated.
Time Starts	Audible signal
Procedure	At the start signal, engage targets from within the designated area.
Observation	-

Stage designer: D. Salvio Parmagnani – RM 303 NROI/BR and Alex Palhares RO 2458 NROI/BR



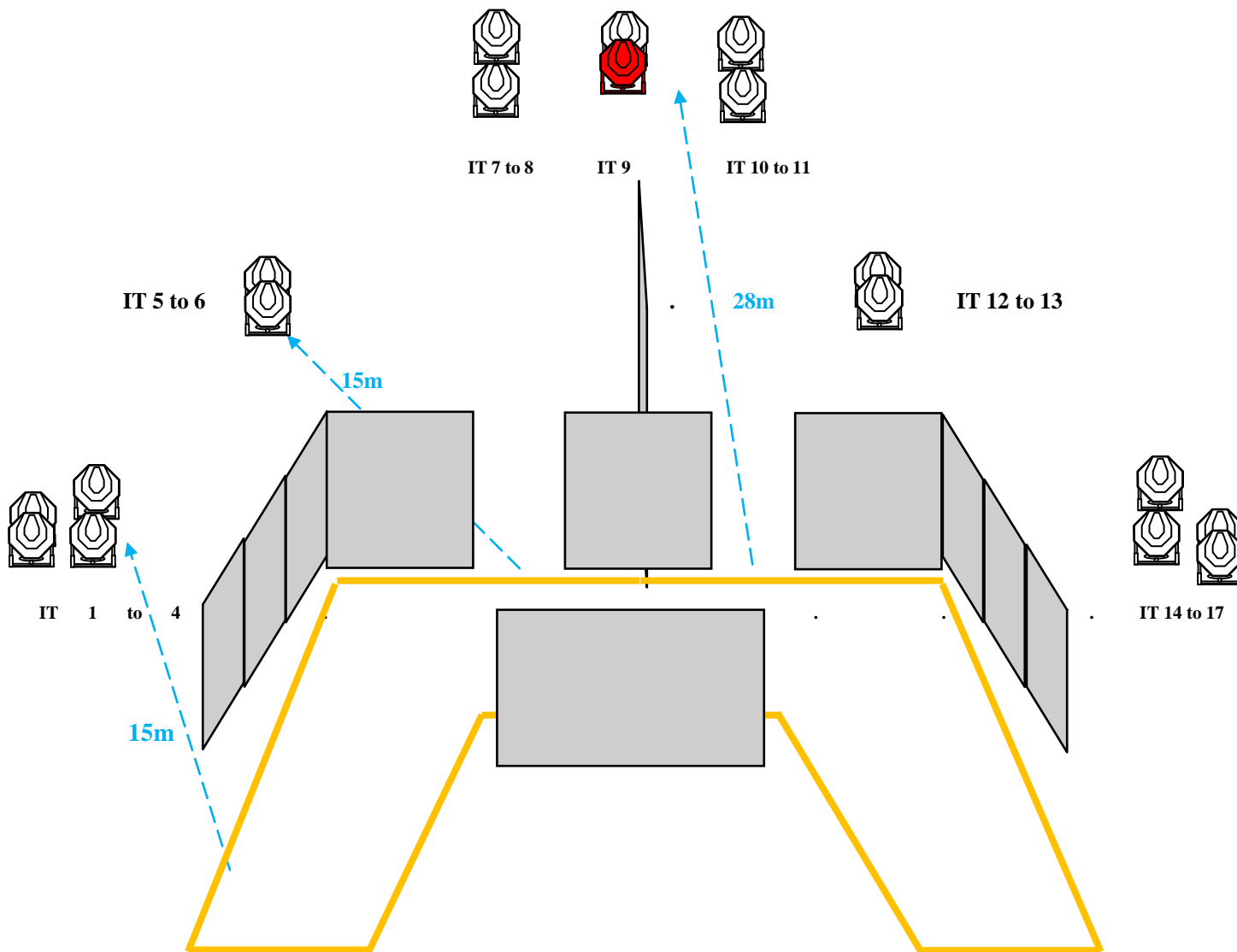
**XVII CAMPEONATO BRASILEIRO DE RIFLE E SHOTGUN E
IX CAMPEONATO BRASILEIRO DE MINI RIFLE DE 2021**

II Etapa NACIONAL de 01 a 04 de julho de 2021.

PISTAS DE MINI RIFLE



(Stage 5)



Targets	17 IPSC TARGET
Number of rounds to be scored	34
Mini-Rifle ready condition.	Loaded (Option 1) (R: 8.1.1.1)
Start Position	Standing, inside the area as demonstrated.
Time Starts	Audible signal
Procedure	At the start signal, engage targets from within the designated area.
Observation	-

Stage designer: D. Salvio Parmagnani – RM 303 NROI/BR and Alex Palhares RO 2458 NROI/BR



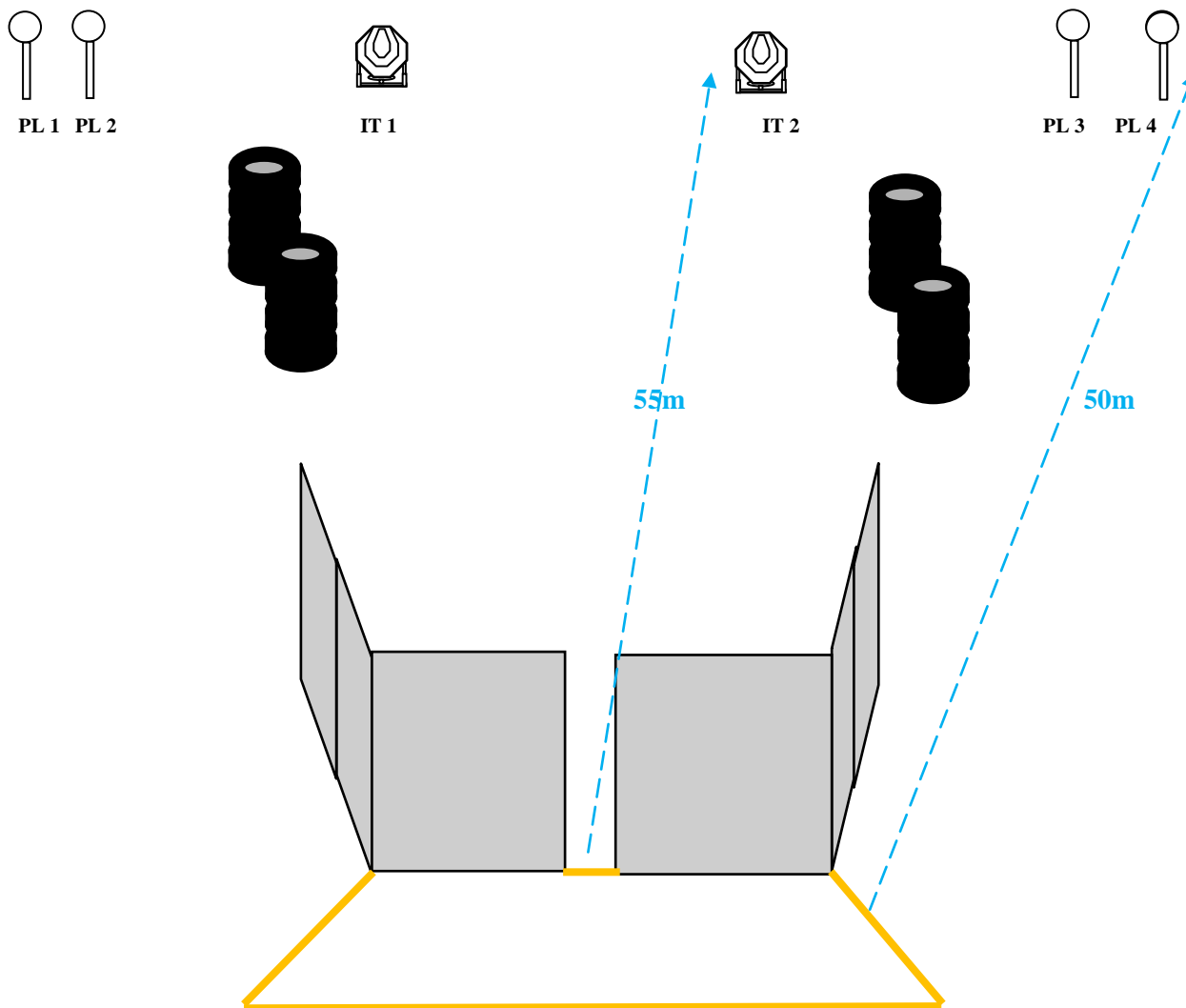
**XVII CAMPEONATO BRASILEIRO DE
RIFLE E SHOTGUN E
IX CAMPEONATO BRASILEIRO DE
MINI RIFLE DE 2021**

II Etapa NACIONAL de 01 a 04 de julho de 2021.

PISTAS DE MINI RIFLE



(Stage 6)



Targets	2 IPSC TARGET and 4 IPSC METAL PLATE
Number of rounds to be scored	8
Mini-Rifle ready condition.	Unloaded (Option 3). (R: 8.1.1.3)
Start Position	Standing, inside the area as demonstrated.
Time Starts	Audible signal
Procedure	At the start signal, engage targets from within the designated area.
Observation	-



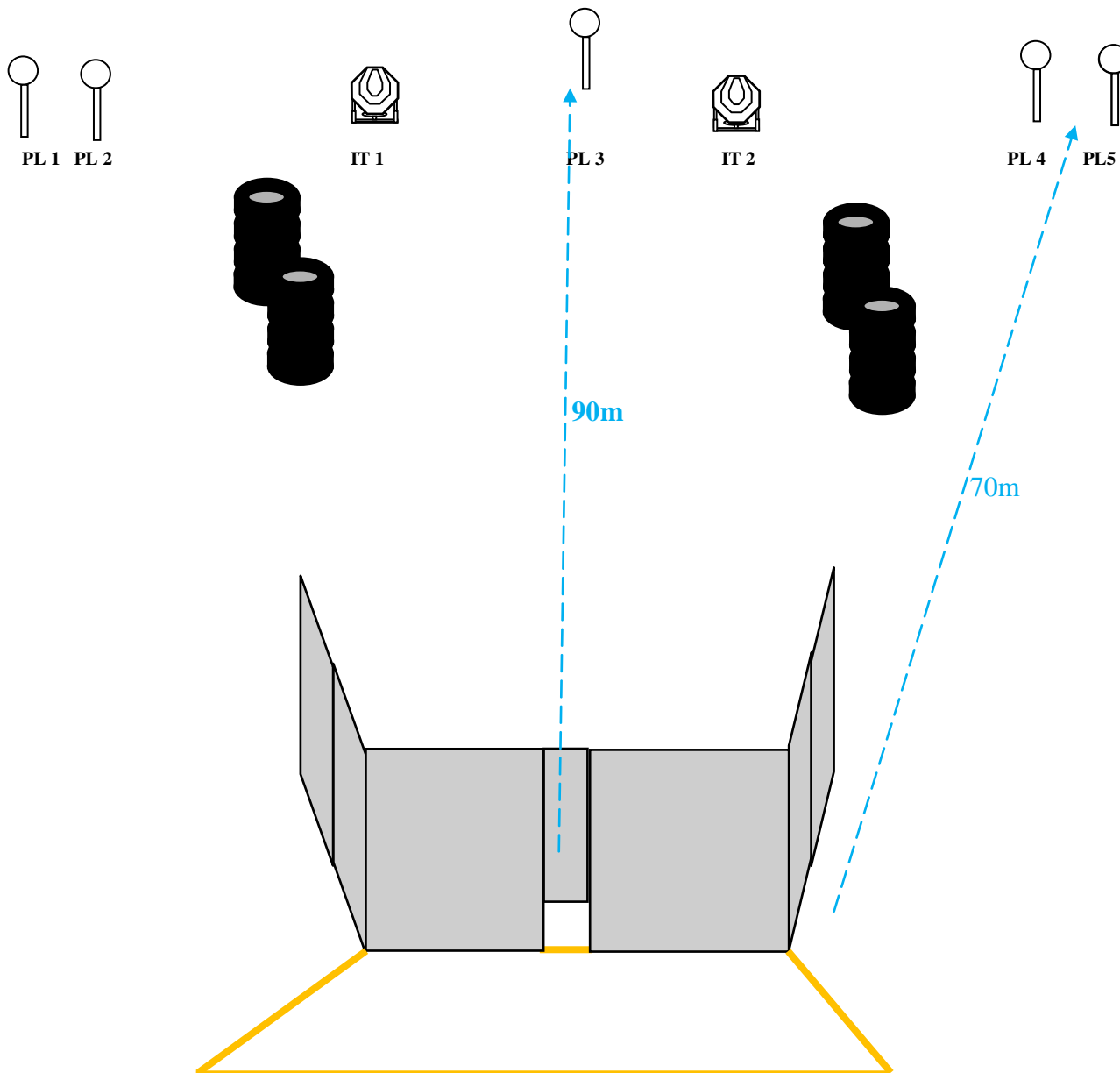
**XVII CAMPEONATO BRASILEIRO DE RIFLE E SHOTGUN E
IX CAMPEONATO BRASILEIRO DE MINI RIFLE DE 2021**

II Etapa NACIONAL de 01 a 04 de julho de 2021.

PISTAS DE MINI RIFLE



(Stage 7)



Targets	2 IPSC TARGET and 5 IPSC METAL PLATE
Number of rounds to be scored	9
Mini-Rifle ready condition.	Loaded (Option 2) (R: 8.1.1.2).
Start Position	Standing, inside the area as demonstrated.
Time Starts	Audible signal
Procedure	At the start signal, engage targets from within the designated area.
Observation	-

Stage designer: D. Salvio Parmagnani – RM 303 NROI/BR and Alex Palhares RO 2458 NROI/BR

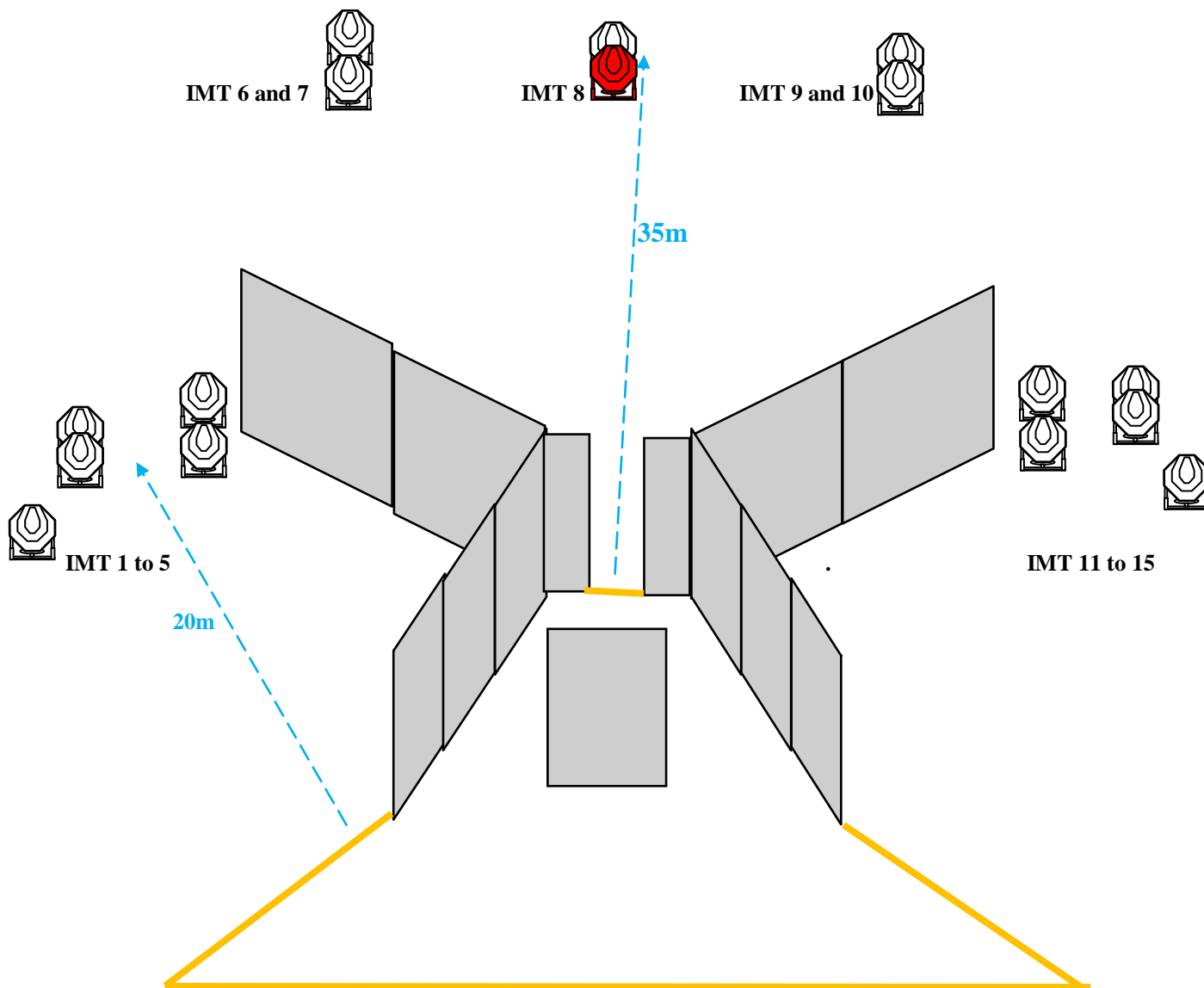


**XVII CAMPEONATO BRASILEIRO DE RIFLE E SHOTGUN E
IX CAMPEONATO BRASILEIRO DE MINI RIFLE DE 2021**

II Etapa NACIONAL de 01 a 04 de julho de 2021.

PISTAS DE MINI RIFLE

(Stage 08)



Targets	15 IPSC MINI TARGET
Number of rounds to be scored	30
Mini-Rifle ready condition.	Loaded (Option 1) (R: 8.1.1.1).
Start Position	Standing, inside the area as demonstrated.
Time Starts	Audible signal
Procedure	At the start signal, engage targets from within the designated area.
Observation	

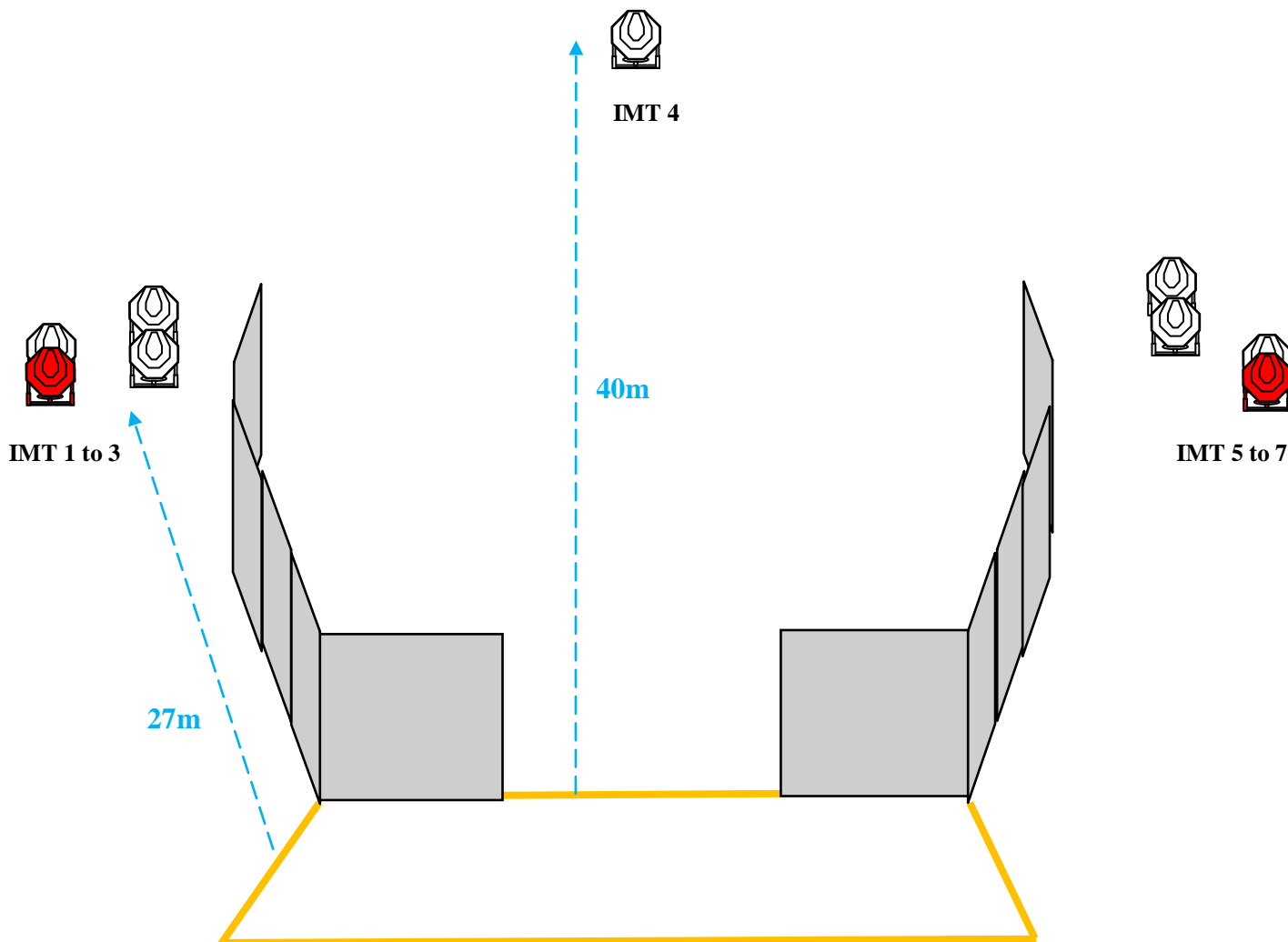


**XVII CAMPEONATO BRASILEIRO DE
RIFLE E SHOTGUN E
IX CAMPEONATO BRASILEIRO DE
MINI RIFLE DE 2021**

II Etapa NACIONAL de 01 a 04 de julho de 2021.

PISTAS DE MINI RIFLE

(Stage 09)



Targets	7 IPSC MINI TARGET
Number of rounds to be scored	14
Mini-Rifle ready condition,	Loaded (Option 1) (R: 8.1.1.1).
Start Position	Standing, inside the area as demonstrated.
Time Starts	Audible signal
Procedure	At the start signal, engage targets from within the designated area.
Observation	

Stage designer: D. Salvio Parmagnani – RM 303 NROI/BR and Alex Palhares RO 2458 NROI/BR

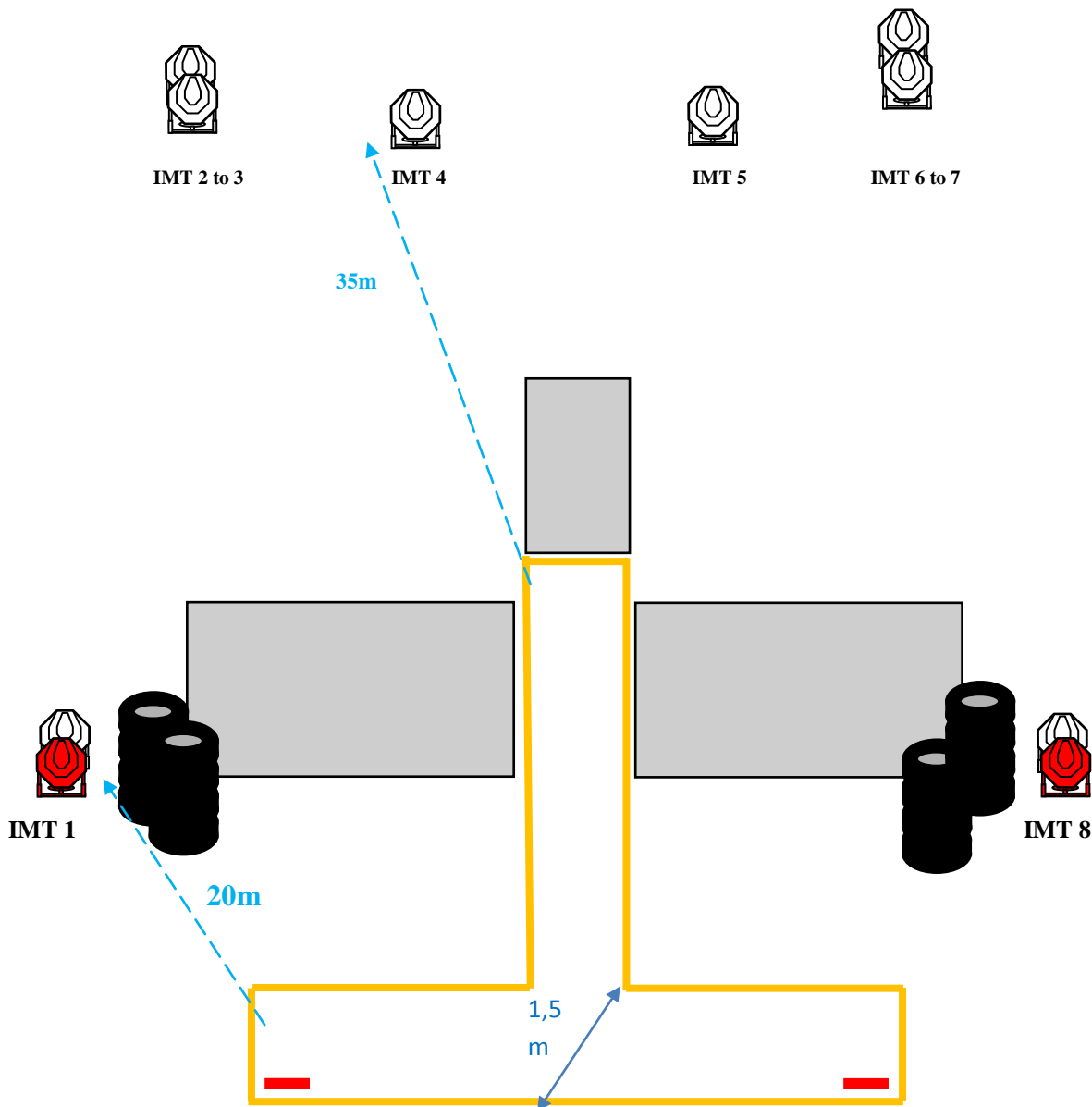


**XVII CAMPEONATO BRASILEIRO DE RIFLE E SHOTGUN E
IX CAMPEONATO BRASILEIRO DE MINI RIFLE DE 2021**

II Etapa NACIONAL de 01 a 04 de julho de 2021.

PISTAS DE MINI RIFLE

(Stage 10)



Targets	8 IPSC MINI TARGET
Number of rounds to be scored	16
Mini-Rifle ready condition.	Loaded (Option 1) (R: 8.1.1.1).
Start Position	Standing, heels touching on the left or right Start Line, as demonstrated.
Time Starts	Audible signal
Procedure	At the start signal, engage targets from within the designated area.
Observation	-

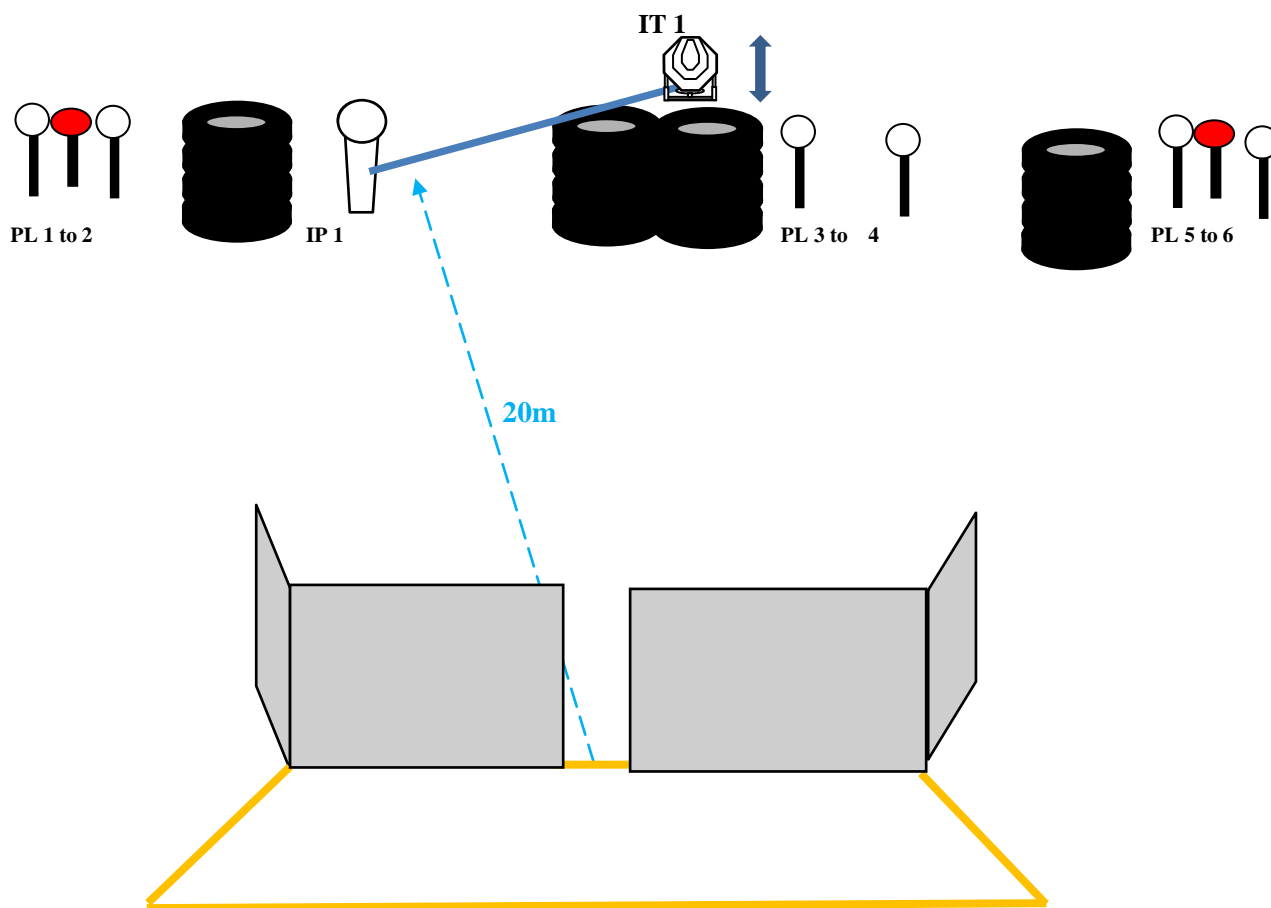


**XVII CAMPEONATO BRASILEIRO DE
RIFLE E SHOTGUN E
IX CAMPEONATO BRASILEIRO DE
MINI RIFLE DE 2021**

II Etapa NACIONAL de 01 a 04 de julho de 2021.

PISTAS DE MINI RIFLE

(Stage 11)



Targets	1 IPSC MINI TARGET, 1 IPSC MINI POPPER and 6 IPSC METAL PLATES,
Number of rounds to be scored	9
Mini-Rifle ready condition.	Loaded (Option 1) (R: 8,1,1,1)
Start Position	Standing, inside the area as demonstrated.
Time Starts	Audible signal
Procedure	At the start signal, engage targets from within the designated area.
Observation	IP 1 activates the moving target clay1, remains visible at rest.



**XVII CAMPEONATO BRASILEIRO DE RIFLE E SHOTGUN E
IX CAMPEONATO BRASILEIRO DE MINI RIFLE DE 2021**

II Etapa NACIONAL de 01 a 04 de julho de 2021.

PISTAS DE MINI RIFLE

(Stage 12)



IMT 1



IMT 2



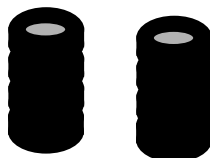
IMT 3



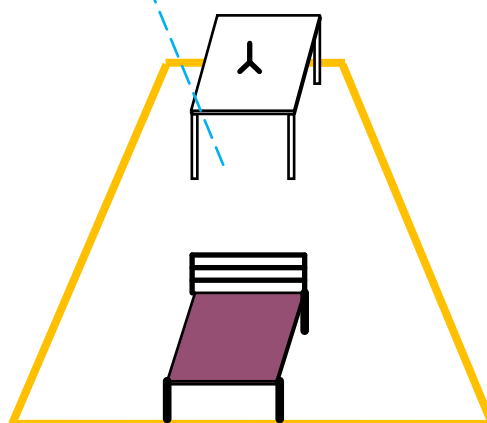
IMT 4



IMT 5



22m



Targets	5 IPSC MINI TARGET
Number of rounds to be scored	10
Mini-Rifle ready condition.	Loaded (Option 1)(R: 8.1.1.1) Mini-rifle laying over the mark on the table.
Start Position	Laying on the center of the bed as demonstrated.
Time Starts	Audible signal
Procedure	At the start signal, engage targets from within the designated area.
Observation	-